



SOUTHERN IRRIGATION

Intelligent Water Solutions

Automatic Hydraulic Screen Filters



AF200



AF800

APPLICATIONS:

- Screen Filter with automatic backflushing

FEATURES:

- Stainless Steel screen filter element supported by a PVC cylinder.
- Many different filtration options
- Durable carbon steel housing material
- Electrostatic oven baked polyester-epoxy powder coating with a thickness of 150-200 micron inside and outside
- Uses water pressure to clean

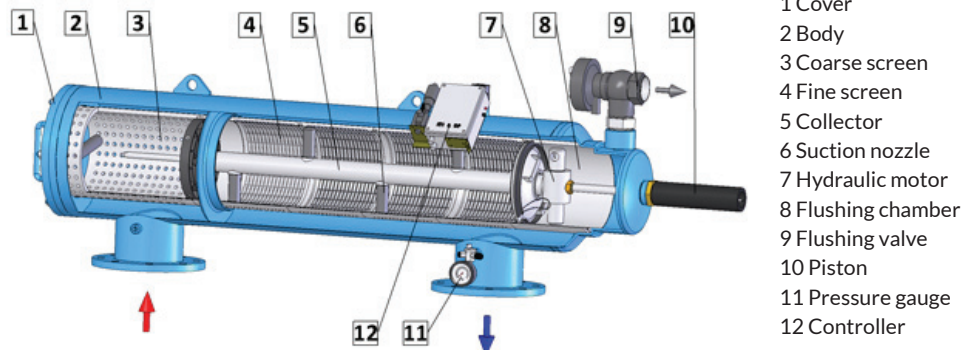
SPECIFICATIONS:

- Minimum operating pressure: 2 bar (30 psi)
- Maximum operating pressure: 10 bar (150 psi)
- Clean filter pressure loss: 0.1 (2 psi)
- Maximum water temperature: 65°C (149°F)
- Filtration range: 50-3000 micron
- Control voltage: 6V DC, 24V AC
- Filter housing materials: carbon steel epoxy coated
- Connections: Grooved or Flanged

OPERATION

The filter is equipped with a coarse screen that protects the inner screen from stones and larger particles. The coarse screen can be periodically cleaned manually. Automatic flushing of the fine screen is activated once the pressure differential (ΔP) in the filter reaches pre-determined value (up to 0.5 bar).

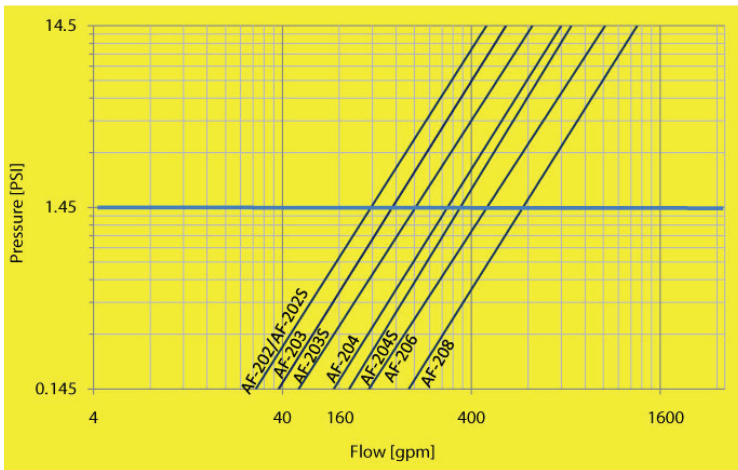
During the flushing cycle, the flushing valve opens, pressure is released from the hydraulic piston and debris laden water is discharged through the flushing valve. Pressure in the hydraulic motor chamber and the dirt collector is significantly lowered causing the dirt collector nozzles move along and rotate cleaning the whole internal screen surface. The flushing cycle takes 5 seconds. The flushing valve closes at the end of the cycle, pressure reapplied to the piston, moving the nozzles back to their rest position, and the filter is cleaned. During the whole process water supply is uninterrupted.



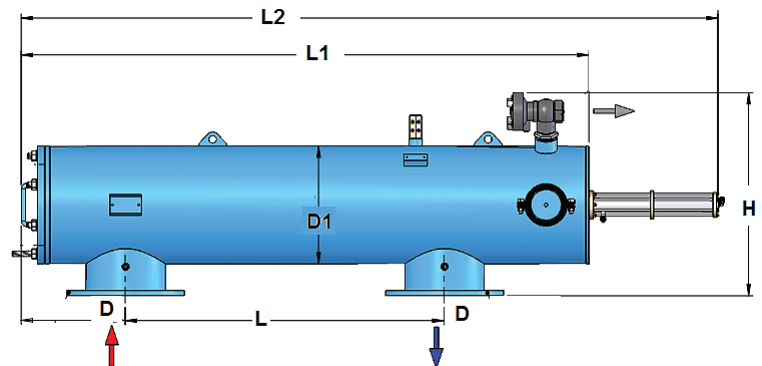
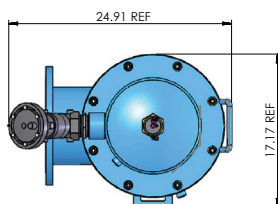
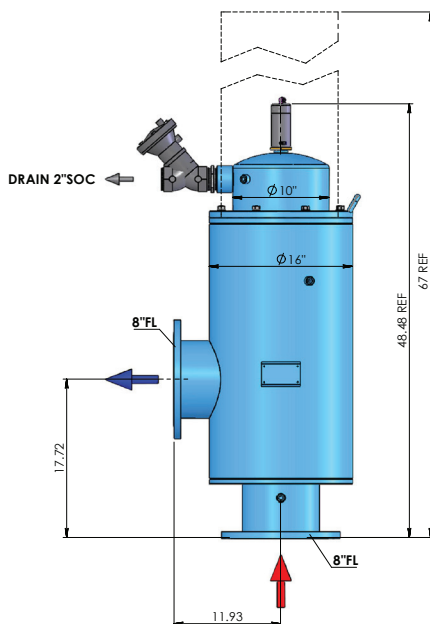
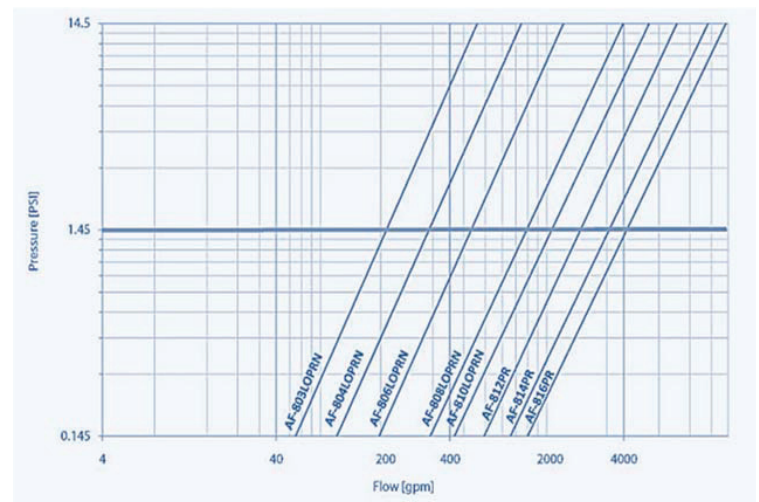
PERFORMANCE

Model	In/Out Connections (Inch)	Maximum Flow Rate (GPM)	Screen Area (inch ²)	Flushing Flow Rate (GPM)
AF203	3	176	253	26
AF203S	3	220	170	26
AF806X	6	700	1300	132
AF808X	8	1320	1300	132
AF810X	10	2000	1815	396

AF200 SERIES



AF800 SERIES



Model	D1	H	L	L1	L2
AF806X	12"	21.8"	35.43"	78.7"	88.4"
AF808X	13"	22.8"	35.43"	70.6"	80.3"
AF810X	16"	28.35"	43.31"	106.28"	123.83"