

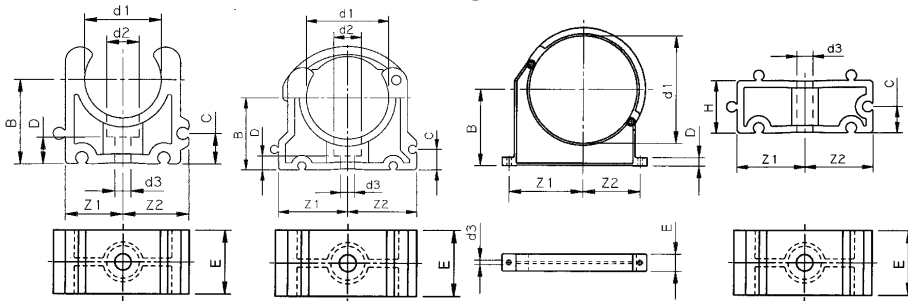


SOUTHERN IRRIGATION

Intelligent Water Solutions

Pipe Clamps

Type A Type B Type C Filling Block



APPLICATIONS:

- Mounting Irrigation pipe
- Mounting Electrical conduit

FEATURES:

- Fast and easy Installation
- Looks professional
- Uniform spacing
- Interlocking
- Filling blocks provide backspacing for fittings and valves
- High strength
- Made from corrosion-resistant polypropylene

PIPE CLAMP DIMENSIONS

Part No.	Pipe Size	Type	d1	d2	d3	Z1	Z2	B	C	D	E
PC-20MM	20mm	A	20	10.5	5.5	16.5	19	25	10	6	16
PC-005	1/2"	A	21.3	10.5	5.5	16.5	19	23.5	10	6	16
PC-25MM	25mm	A	25	10.5	5.5	19	21.5	27.5	10	6	16
PC-007	3/4"	A	26.7	10.5	5.5	19	21.5	28.5	10	6	16
PC-32MM	32mm	A	32	10.5	5.5	24	26.5	31	10	6	16
PC-010	1"	A	33.4	10.5	5.5	24	26.5	32	10	6	16
PC-40MM	40mm	B	40	14	6.5	33.5	33.5	35	10	6.5	22
PC-012	1-1/4"	B	42.2	14	6.5	33.5	33.5	36	10	6.5	22
PC-015	1-1/2"	B	48.3	14	6.5	37	37	39	10	6.5	22
PC-50MM	50mm	B	50	14	6.5	37	37	40	10	6.5	22
PC-020	2"	B	60.3	17	8.5	44.5	44.5	50	10	10	25
PC-63MM	63mm	B	63	17	8.5	44.5	44.5	51.5	10	10	25
PC-025	2-1/2"	B	73	17	8.5	52	52	56.5	10	10	25
PC-030	3" / 90mm	B	88.9	17	8.5	64.5	64.5	65	10	10	28
PC-040	4" / 110mm	B	114.3	17	8.5	78	78	82	10	10	28
PC-060	6"	C	168.3	-	11	136	111	147	-	20	35
PC-080	8"	C	219.1	-	13	165	135	177	-	25	40

Dimensions in mm

FILLING BLOCK DIMENSIONS

Part No.	Pipe Clamp	d3	Z1	Z2	H	C	E
PC-005-FB	1/2" / 20mm	5.5	16.5	19	20	10	16
PC-007-FB	3/4" / 25mm	5.5	19	21.5	20	10	16
PC-010-FB	1" / 32mm	5.5	24	26.5	20	10	16
PC-012-FB	1-1/4" / 40mm	6.5	33.5	33.5	20	10	22
PC-015-FB	1-1/2" / 50mm	6.5	37	37	20	10	22
PC-020-FB	2" / 63mm	8.5	44.5	44.5	20	10	25
PC-025-FB	2-1/2" / 75mm	8.5	52	52	20	10	25
PC-030-FB	3" / 90mm	8.5	64.5	64.5	20	10	28
PC-040-FB	4" / 110mm	8.5	78	78	20	10	28

Dimensions in mm



These polypropylene pipe clamps can be used in any application, such as dairies, utility rooms, greenhouses, or any other scenario that requires pipe hangers or supports, providing a cleaner, more professional look over standard pipe straps.

The clamp gets mounted first, then the pipe snaps into place.

Filling Blocks provide extra backspacing to accommodate large dimension components such as fittings and valves.

All pipe clips and blocks are interlocking to provide uniform spacing.

Available for metric or North American pipe.