

## Applications

Super-fine static fogger designed for cooling and humidifying greenhouses.

## Features and Benefits

- MicroNet Foggers bridgeless design eliminates dripping.
- Made from acid resistant raw materials thus allowing the chemicals to pass through the system.
- The micro sized droplets are obtained at a relatively low pressure of 60 psi with an average drop size of 85 micron.

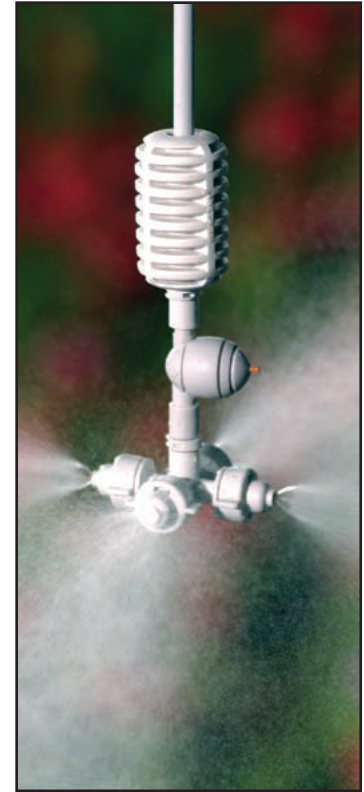
## Fogger Installations

### 3-4 Foot Wide Benches

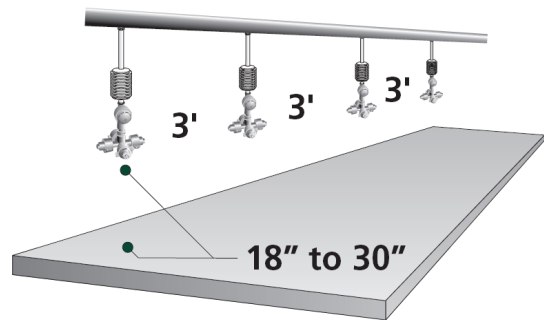
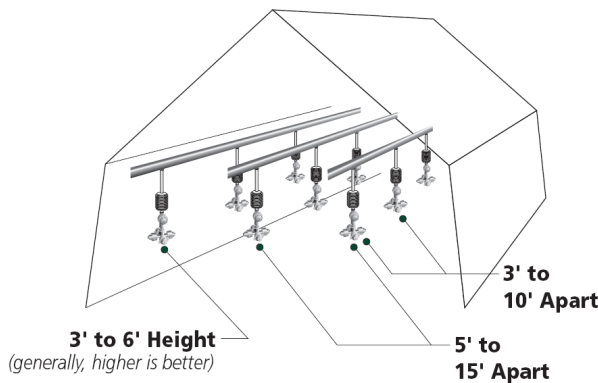
The height of the fogger assembly should be 18" to 30" above the propagation material. The distance between the fogger assemblies should be 3 feet. (Place the lateral above the center of a 3 to 4' bench.)

### Wide Benches

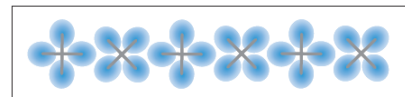
For wide benches (up to 8') use two lines of foggers equally distanced from the center of the bench. For large areas, use one row of foggers for every 4' width of area to be fogged.



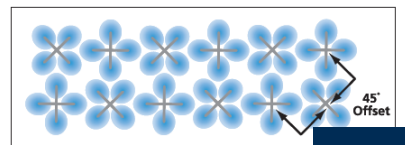
### Typical Installation for Humidification or Cooling



Ordering Guide		
Code	Description	Price
N HSAW-12	Netafim 12" Tube Assembly c/w Stab	\$ 2.55
N HSAW-24	Netafim 24" Tube Assembly c/w Stab	\$ 2.82
N HSAW-36	Netafim 36" Tube Assembly c/w Stab	\$ 3.05
N HSAW-48	Netafim 48" Tube Assembly c/w Stab	\$ 3.26
N LPD	Netafim Check Valve	\$ 2.28
N STAB	Netafim Stabilizer	\$ 0.71
N 4WAYFOG	Netafim MicroNet c/w body, 1 nozzle, and check valve	\$ 8.61
N 1WAYFOG	Netafim MicroNet c/w body, 1 nozzle, and check valve	\$ 1.15



**45° Offset** - 4-way crosses should be placed at 45° angles to one another.



Discount Code  
**1931**

Discount Code  
**1932**

## SOUTHERN DRIP IRRIGATION

Lethbridge, Alberta  
phone: 403-394-0042  
fax: 403-394-9515



Chilliwack, British Columbia  
phone: 604-792-0041  
fax: 604-792-9515

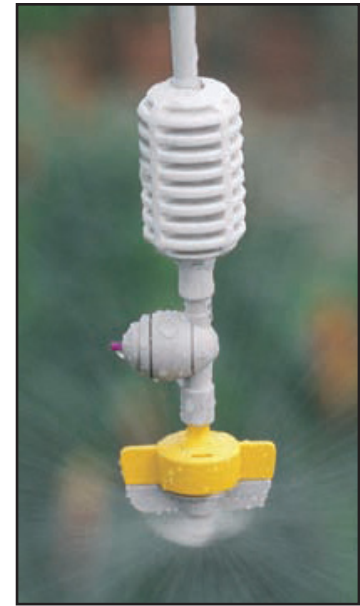
www.southerndrip.com

## Applications

Greenhouses, Nurseries, and Nethouses

## Features and Benefits

- SpinNet micro-sprinklers are constructed without a bridge to retain the spinner, producing a drip-less operation.
- Acid resistant raw materials, thus allowing the application chemicals to pass through the system. The system can be cleaned by application of suitable acid treatments
- Excellent uniformity distribution on a full coverage irrigation system.

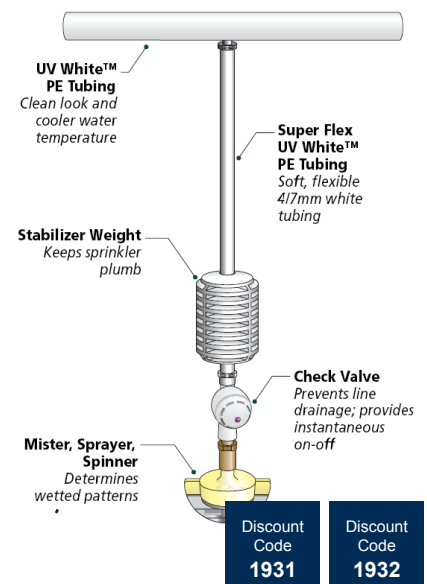


One Line Solutions for Single Bay or Quonset				
Bay Width(ft)	Between Sprinklers(ft)	Height above crop		
		2'-3'	4'-5'	6'-7'
10	3	R-R-BL		
12	3	R-R-BL	R-R-BL	
14	3	BR-BR-BL	BR-BR-BL	R-R-BL
15	3	R-R-GY	BR-BR-BL	R-R-BL
16	3	R-R-GY	BR-Y-GY	R-R-BL
18	3	R-R-GN	BR-Y-GY	BR-Y-GY
20	3		R-R-GN	BR-BR-GN
22	3		R-R-GN	BR-BR-GN
24	3			BR-BR-GN

Flow Guide	
SpinNet	Flow (gph)
R-R-BL	18.4
BR-BR-BL	23.4
R-R-GY	18.4
BR-Y-GY	23.4
R-R-GN	18.4
BR-BR-GN	23.4

Two Line Solutions for Single Bay or Quonset					
Bay Width(ft)	Spacing Between Sprinklers (ft)	Spacing Between Sprinkler Lines(ft)	Height Above Crop		
			3'	4'-5'	6'-7'
20	3	11	R-R-BL		
22	3	12	R-R-BL	R-R-BL	
24	3	12	R-R-BL	R-R-BL	R-R-BL
26	3	14	BR-BR-BL	R-R-BL	R-R-BL
28	3	15	BR-BR-BL	R-R-BL	R-R-BL
30	3	16	R-R-GY	R-R-GY	BR-BR-BL
32	3	17	R-R-GN	R-R-GY	BR-BR-BL
34	3	18	R-R-GN	R-R-GY	BR-BR-BL
36	3	19	R-R-GN	R-R-GY	R-R-GN
38	3	20	BR-BR-GN	R-R-GN	R-R-GN

Ordering Guide		
Code	Description	Price
N HSAW-12	Netafim 12" Tube Assembly c/w Stab	\$ 2.55
N HSAW-24	Netafim 24" Tube Assembly c/w Stab	\$ 2.82
N HSAW-36	Netafim 36" Tube Assembly c/w Stab	\$ 3.05
N HSAW-48	Netafim 48" Tube Assembly c/w Stab	\$ 3.26
N LPD	Netafim Check Valve	\$ 2.28
N STAB	Netafim Stabilizer	\$ 0.71
N SN-xxxx	Netafim SpinNet c/w body, mist control, and check valve	\$ 4.77



## SOUTHERN DRIP IRRIGATION

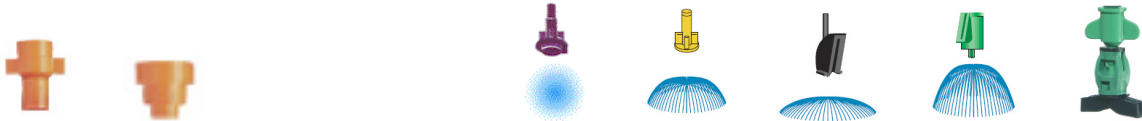
Lethbridge, Alberta  
phone: 403-394-0042  
fax: 403-394-9515



Chilliwack, British Columbia  
phone: 604-792-0041  
fax: 604-792-9515

www.southerndrip.com

# Dan Modular Sprinklers



Anti-Mist Color	Nozzle Color	Pressure (PSI)	Flow (GPH)	Violet Mister	Yellow Flat	Black Single Wing	Green Kiwi Height 6 foot	Green Spin Bridgeless 6' height
	<b>Violet 0.032"</b>	15	6.7	-	8.0	13.8	18.9	-
		20	7.8	6.0	8.1	14.6	19.4	-
		25	8.7	6.5	8.1	16.8	21.2	-
		30	9.5	6.0	8.6	19.0	22.5	-
		40	11.0	6.0"	8.6	19.6	22.8	-
	<b>Brown 0.035"</b>	15	8.2	-	9.2	15.5	20.7	-
		20	9.5	6.0	9.2	17.8	21.0	-
		25	10.7	6.5	9.8	18.5	22.6	-
		30	11.7	6.0	11.0	19.2	24.4	-
		40	13.5	6.0	11.1	19.6	22.8	-
	<b>Grey 0.044"</b>	15	13.4	-	9.2	18.9	24.1	-
		20	15.5	6.0	9.2	21.0	24.3	-
		25	17.3	7.0	9.8	22.5	26.0	-
		30	19.0	6.5	11.0	24.0	27.7	-
		40	21.9	6.5	11.1	24.6	27.7	-
	<b>Green 0.055"</b>	15	20.0	-	9.8	22.4	25.8	-
		20	23.0	-	9.8	24.3	25.9	-
		25	25.8	-	9.8	25.0	28.8	25.6
		30	28.2	-	11.0	25.6	27.7	-
		40	32.6	-	11.1	27.7	27.7	-
<b>Green 0.035"</b>	<b>Green 0.055"</b>	20	9.4	-	10.0	-	-	-
		25	9.9	-	10.0	-	-	-
		30	10.9	-	11.5	-	18.0	18.0
		40	11.8	-	11.5	-	18.1	-
	<b>Orange 0.060"</b>	15	23.0	-	10.4	22.4	27.6	-
		20	26.6	-	10.8	24.3	27.6	-
		25	29.7	-	11.5	25.0	28.5	26.2
		30	32.6	-	13.8	25.6	29.4	-
		40	37.6	-	13.8	27.7	29.4	-
<b>Orange 0.047"</b>	<b>Orange 0.060"</b>	20	15.7	-	11.0	-	-	-
		25	17.3	-	12.0	-	-	-
		30	19.0	-	12.0	-	24.6	23.0
		40	20.9	-	12.0	-	24.7	-
	<b>Yellow 0.067"</b>	15	30.0	-	-	22.4	29.3	-
		20	35.0	-	-	24.3	29.3	-
		25	39.1	-	-	25.0	30.2	-
		30	42.9	-	-	25.6	31.2	-
		40	49.5	-	-	27.7	31.2	-
<b>Yellow 0.055"</b>	<b>Yellow 0.067"</b>	20	20.0	-	11.0	-	-	-
		25	22.3	-	12.0	-	-	-
		30	24.4	-	13.0	-	24.6	-
		40	27.0	-	13.0	-	24.6	-
	<b>Blue 0.075"</b>	15	38.0	-	-	24.1	-	-
		20	43.9	-	-	25.9	-	-
		25	49.0	-	-	26.6	-	-
		30	53.7	-	-	27.2	-	-
		40	62.0	-	-	29.2	-	-
<b>Blue 0.060"</b>	<b>Blue 0.075"</b>	20	27.5	-	11.0	-	-	-
		25	29.7	-	12.0	-	-	-
		30	32.6	-	13.5	-	26.2	-
		40	35.5	-	14.5	-	26.2	-

## SOUTHERN DRIP IRRIGATION

Lethbridge, Alberta  
 phone: 403-394-0042  
 fax: 403-394-9515



Chilliwack, British Columbia  
 phone: 604-792-0041  
 fax: 604-792-9515

www.southerndrip.com

# Dan Modular Sprinklers

## Tube Assemblies



Part No.	Size	Price
D 24WOS	24" Assembly	1.92
D 36WOS	36" Assembly	2.14
D 48WOS	48" Assembly	2.37
D 60WOS	60" Assembly	2.69
For assemblies with Weight add 0.93		
D STAB	Weight Only	0.87

## Bridge



Part No.	Description	Price
D BRIDGE	Bridge	1.29

## Spreaders



Part No.	Description	Price
D MISTING	Violet Misting	0.55
D FLAT	Yellow Flat	0.55

## Nozzles



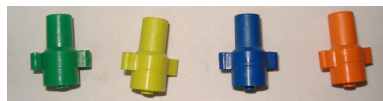
Part No.	Description	Price
D NOZ VIO	Violet(.032")	0.55
D NOZ BRO	Brown(.035")	0.55
D NOZ GRA	Grey(.044")	0.55
D NOZ GRE	Green(.055")	0.55
D NOZ ORA	Orange(.060")	0.55
D NOZ YEL	Yellow(.067")	0.55
D NOZ BLU	Blue(.075")	0.55

## Spinners



Part No.	Description	Price
D RNDSPIN	Black Round	0.44
D KIWI	Green Kiwi	0.55
D SINGLWING	Black Single Wing	0.44
D OBLONG	Orange Oblong	0.55

## Antimist



Part No.	Description	Price
D AM-GREEN	Green (.035")	0.44
D AM-ORANGE	Orange (.047")	0.44
D AM-YELLOW	Yellow (.055")	0.44
D AM-BLUE	Blue (.060")	0.44

## GreenSpin (Bridgeless)



Part No.	Description	Price
D GRNSPIN-G	Grnspin Green Noz	2.50
D GRNSPIN-O	Grnspin Orange	2.50



Price per assembly:  
\$2.51

## Male Bases



Part No.	Description	Price
D BUFLY B	Butterfly Barb	0.89
D BUFLY C	Butterfly Threaded	0.89
D MBASE	1/2" Male Base	1.13

## Leak Prevention Device



Part No.	Description	Price
D LPD	LPD 18 PSI	2.98
D LPD-H	LPD 40 PSI	3.79

## Barb



Part No.	Description	Price
D BARB	Connector Barb	0.38

## Fogger



Part No.	Description	Price
D FOG-4	Cross for Fogger	3.09
FOG-BLUE	Blue 1.6GPH	2.65
FOG-ORA	Orange 3.2GPH	2.65
FOG-RED	Red 5.2GPH	2.65

**SOUTHERN DRIP IRRIGATION**

Discount Code  
**1921**

Lethbridge, Alberta  
phone: 403-394-0042  
fax: 403-394-9515



Chilliwack, British Columbia  
phone: 604-792-0041  
fax: 604-792-9515

www.southerndrip.com